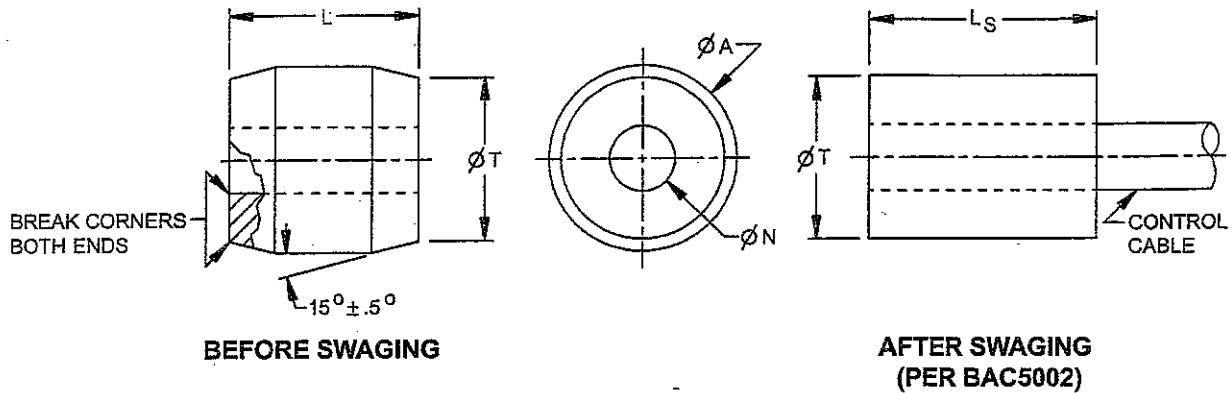


BCAG	F	BD&SG	F	BH	N					
NEW DESIGN APPROVAL: P=PARTIAL, F=FULL, N=NONE										



DIMENSIONING AND TOLERANCING PER ANSI Y14.5M-1982.
 TOLERANCES: AS NOTED.
 DIMENSIONS IN INCHES UNLESS OTHERWISE NOTED.

TABLE I

BOEING STANDARD NUMBER BACT14A	MIN BREAKING STRENGTH (LBS) ①	CABLE Ø REF	DIE SIZE	Ø A	L	Ø N	Ø T	L _s
2	480	.062	.094	.221 .217	.224 .214	.076 .073	.190 .185	.290 .250
3	920	.094	.125	.252 .248	.333 .323	.107 .104	.219 .214	.410 .370
4	2,000	.125	.156	.298 .294	.416 .406	.146 .141	.250 .245	.540 .500
5	2,800	.156	.188	.377 .373	.510 .500	.177 .172	.313 .308	.660 .620
6	4,200	.188	.219	.439 .435	.635 .625	.208 .203	.375 .370	.790 .750

NOTE

① SAME AS MINIMUM BREAKING STRENGTH OF FLEXIBLE CARBON STEEL CABLE CONFORMING TO SPECIFICATION MIL-DTL-83420.

TECHNICAL CHANGES IDENTIFIED BY REVISION BAR.

DATE 17-DEC-1945 REV (N) 22-JAN-2003

CAGE CODE 81205

BACT14A
SH 1 OF 3

**TERMINAL,
CYLINDRICAL, CABLE**

BACT14A
SH 1 OF 3

PROCUREMENT SPECIFICATION

MIL-DTL-781 (EXCEPT DIMENSIONS AS SHOWN).

MATERIAL

CORROSION-RESISTING STEEL PER MIL-DTL-781. TERMINALS MAY BE ANNEALED AFTER MACHINING.

FINISH

PER MIL-DTL-781. TERMINALS MAY BE DISCOLORED BY ANNEALING OPERATION.

PROCUREMENT

BELL-MEMPHIS INC, 1650 CHANNEL AVE, MEMPHIS TN 38113 (CAGE CODE 22277)

LOOS AND CO INC, DIV OF CABLEWARE, 901 INDUSTRIAL BLVD, NAPLES FL 34104 (CAGE CODE 65196)

THE HARTWELL CORP, 900 S RICHFIELD RD, PLACENTIA CA 92670 (CAGE CODE 83014)

THE MANUFACTURERS LISTED AND THEIR AUTHORIZED DISTRIBUTORS ARE THE ONLY APPROVED SOURCES FOR THE ABOVE QUALIFIED PRODUCTS. NO CHANGES IN PRODUCT DESIGN, BASIC METHODS OF MANUFACTURE, PLANT SITE OR QUALITY LEVEL SHALL BE MADE WITHOUT PRIOR NOTIFICATION AND PRIOR APPROVAL IN WRITING FROM THE BOEING COMPANY. MANUFACTURERS OF COMPETITIVE PRODUCTS MAY APPLY TO A SUPPLIER MANAGEMENT AND PROCUREMENT DEPARTMENT OF THE BOEING COMPANY FOR QUALIFICATION.

USAGE AND APPLICATION INFORMATION

THESE TERMINALS MAY BE USED ON ALL SECONDARY CONTROL INSTALLATIONS. USE ON PRIMARY CONTROL INSTALLATIONS IS LIMITED TO ATTACHING CABLES TO QUADRANTS, DRUMS OR PULLEYS.

SEE BACC13AC, BACC13AL AND BACC13AMTHRUC13AP FOR CABLE ASSEMBLIES USING BACT14A.

DATE 17-DEC-1945 REV (N) 22-JAN-2003

CAGE CODE 81205

BACT14A

SH 2

**TERMINAL,
CYLINDRICAL, CABLE**

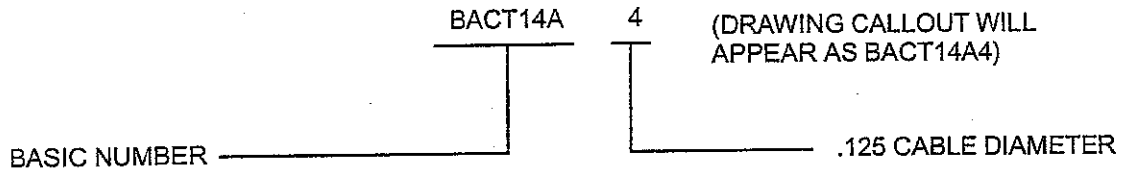
BACT14A

SH 2

CODING

FIRST DASH NUMBER DESIGNATES CABLE DIAMETER IN .032 INCREMENTS.

EXAMPLE OF PART NUMBER



ASSEMBLE TERMINAL TO CABLE PER BAC5002.

SEE D-590-PREFACE (INDEX) FOR INACTIVATION DEFINITIONS. SEE D-590-SUPERSESSION-LIST FOR SUPERSESSION CLASS DEFINITIONS AND SUPERSESSION LIST. SEE D-590-BOEING-TO-VENDOR FOR VENDOR PART NUMBERS.

DATE 17-DEC-1945 REV (N) 22-JAN-2003

CAGE CODE 81205

BACT14A SH 3

**TERMINAL,
CYLINDRICAL, CABLE**

BACT14A SH 3